

Dial Indicators

Comparison measuring instruments which ensure high quality, high accuracy and reliability.



An inspection certificate is supplied as standard. Refer to page IX for details.

SERIES 2 — Standard Type, 0.01mm Graduation

- Standard 0.01mm graduation dial gages having a bezel with an outside diameter of 57mm. All types come with limit markers and a bezel clamp as standard.
- The bezel clamp and lifting lever (optional) can be attached to either the right or left side. These parts can be easily installed and removed without tools.
- Secure adhesion between the bezel and crystal as well as the use of an O-ring prevents water or oil penetration.
- The spindle is made of high-strength quench-hardened stainless steel suitable for heavy-duty use.
- A carbide contact point is used.
- The grand gear is made of stainless steel with high resistance to wear and deformation.
- Application of a hard coating on the surface of the crystal makes the gage highly scratch- and chemical-resistant.



20465



Continuous scale



Graduation: 0.01mm,
Measuring range: 10mm

20465

20465-09

Shockproof type



Balanced scale



Graduation: 0.01mm,
Measuring range: 10mm

20475



Reverse reading type. Suitable for depth and step measurement.



Graduation: 0.01mm,
Measuring range: 10mm

29025



Continuous scale



Graduation: 0.01mm,
Measuring range: 10mm

2310S-10

With coaxial revolution counter

Jeweled bearing type



Continuous scale



Graduation: 0.01mm,
Measuring range: 5mm

20445

20445-09

Shockproof



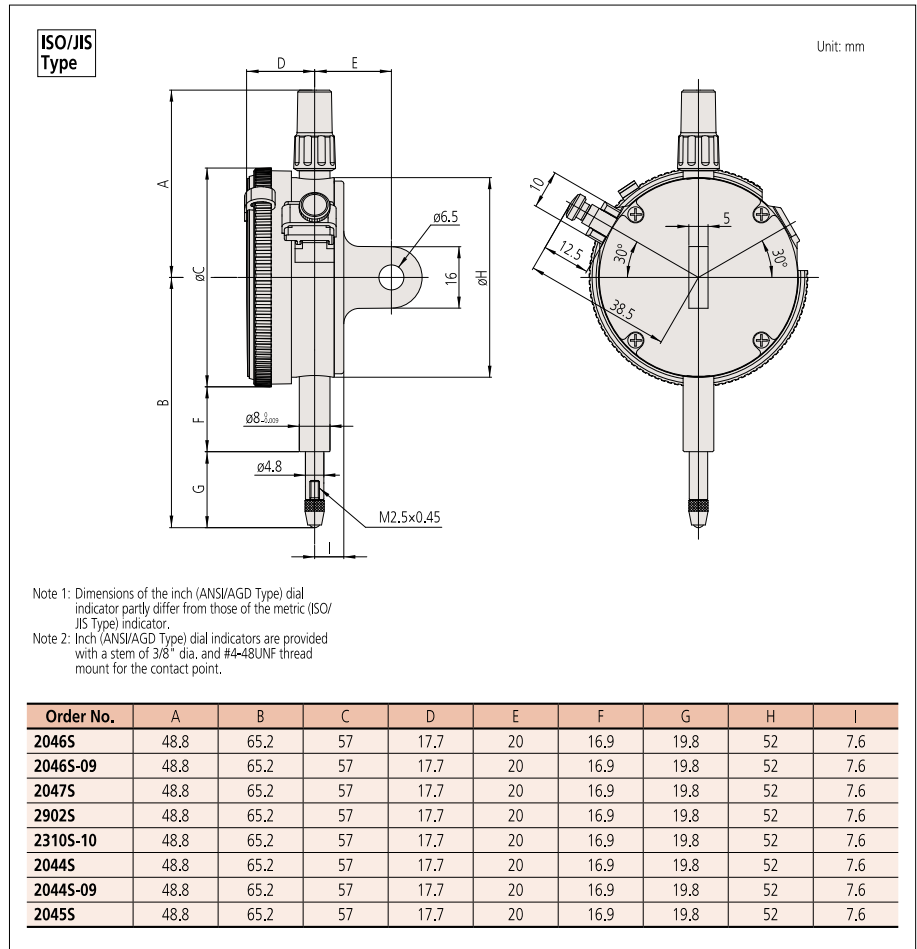
Balanced scale



Graduation: 0.01mm,
Measuring range: 5mm

20455

DIMENSIONS



FEATURES

| Metric | | | | | | | | | |
|-----------|-----------|-----------|-----|-----|-----|-----|-----|------|------|
| Order No. | | Flat-back | 30° | 45° | 60° | 75° | 90° | 120° | 150° |
| 2046S | 2046SB | ✓ | — | — | — | — | — | — | — |
| 2046S-09 | 2046SB-09 | ✓ | — | — | — | — | — | — | — |
| 2047S | 2047SB | — | ✓ | — | — | — | — | — | — |
| 2902S | 2902SB | — | — | ✓ | — | — | — | — | ✓ |
| 2310S-10 | 2310SB-10 | ✓ | — | — | — | — | ✓ | ✓ | — |
| 2044S | 2044SB | ✓ | — | — | — | — | — | — | — |
| 2044S-09 | 2044SB-09 | ✓ | — | — | — | — | — | — | — |
| 2045S | 2045SB | — | ✓ | — | — | — | — | — | — |

SPECIFICATIONS

| Metric | | ISO/JIS type | | | | | | | | | |
|-----------|-----------|--------------|-------------------|----------|---------|----------|-------|----------------|--------------|-----------------|--|
| Order No. | | Graduation | Range (range/rev) | Accuracy | | | | Repeat-ability | Dial reading | Measuring force | |
| w/ lug | Flat-back | | | Overall | Retrace | 1/10 Rev | 1 Rev | | | | |
| 2046S | 2046SB | 0.01mm | 10mm (1mm) | 13µm | 3µm | 5µm | 10µm | 3µm | ±0-100 | 1.4N or less | |
| 2046S-09 | 2046SB-09 | 0.01mm | 10mm (1mm) | 15µm | 3µm | 5µm | 10µm | 3µm | ±0-100 | 1.4N or less | |
| 2047S | 2047SB | 0.01mm | 10mm (1mm) | 13µm | 3µm | 5µm | 10µm | 3µm | 0-50-0 | 1.4N or less | |
| 2902S | 2902SB | 0.01mm | 10mm (1mm) | 13µm | 3µm | 5µm | 10µm | 3µm | 100-0 | 1.4N or less | |
| 2310S-10 | 2310SB-10 | 0.01mm | 10mm (1mm) | 15µm | 3µm | 5µm | 10µm | 3µm | ±0-100 | 1.4N or less | |
| 2044S | 2044SB | 0.01mm | 5mm (1mm) | 12µm | 3µm | 5µm | 10µm | 3µm | ±0-100 | 1.4N or less | |
| 2044S-09 | 2044SB-09 | 0.01mm | 5mm (1mm) | 12µm | 3µm | 5µm | 10µm | 3µm | ±0-100 | 1.4N or less | |
| 2045S | 2045SB | 0.01mm | 5mm (1mm) | 12µm | 3µm | 5µm | 10µm | 3µm | 0-50-0 | 1.4N or less | |